

DDLCW-NMU1X USB BLE Dongle

Application

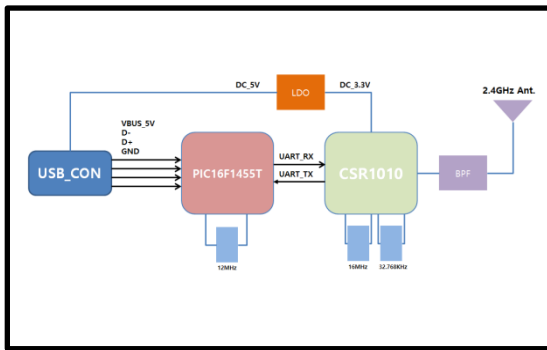
- USB BLE Joystick
- Hub device

Features

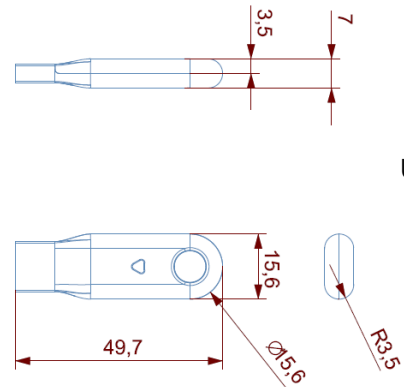
- Chip : CSR1010
- MCU : PIC16F1455T
- BT : v4.0, UART



[Block Diagram]



[Design View]



Strong Point

- Solution 쪽 추가 필요함.

Specification

Item	Unit	Min.	Typ.	Max.
Supply Voltage (Case A)	V	4.5	5.0	5.5
Operation Temperature	°C	-10	25	50
Tx Output Power	dBm		7.5	8.0
Rx Sensitivity	dBm		-90	